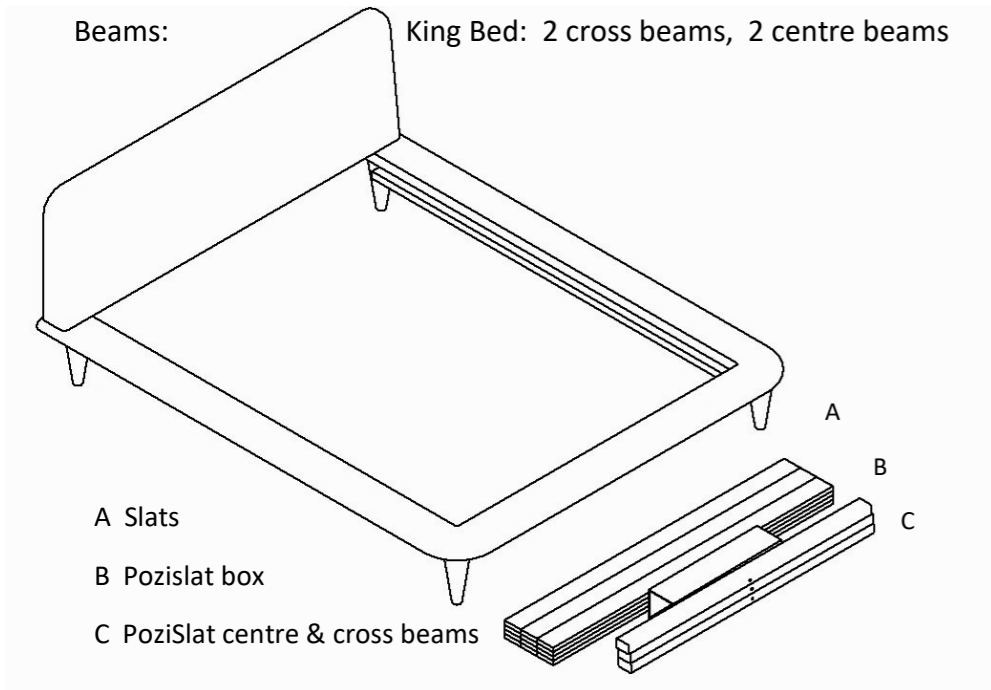


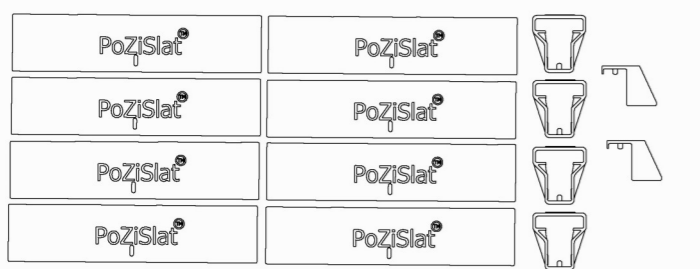
PoziSlat Assembly Instructions

For Video Instructions go to: <https://tinyurl.com/y95pehf6>

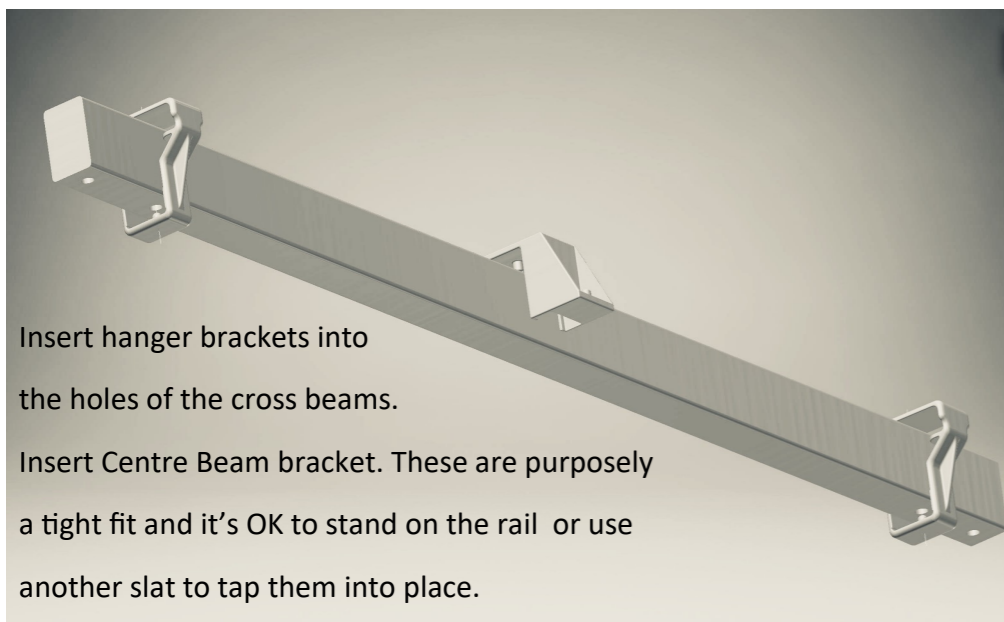
- 1.** Once bed frame is assembled, check all PoziSlat components are present:
- Slats: 12 slats for Queen or King, 11 slats for a Double
 - PoziSlat Kit: 1 x box
 - PoziSlat Timber Double or Queen: 2 cross beams, 1 centre beam
 - Beams: King Bed: 2 cross beams, 2 centre beams



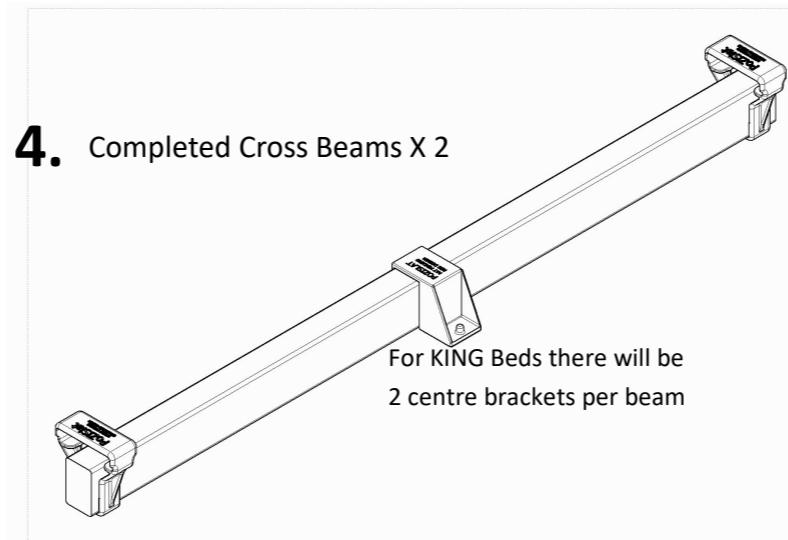
2. The PoziSlat box should contain:



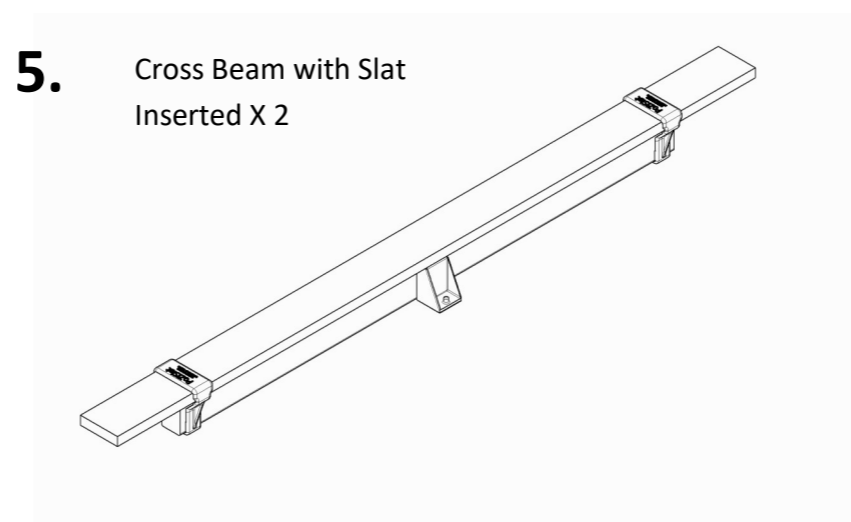
3.



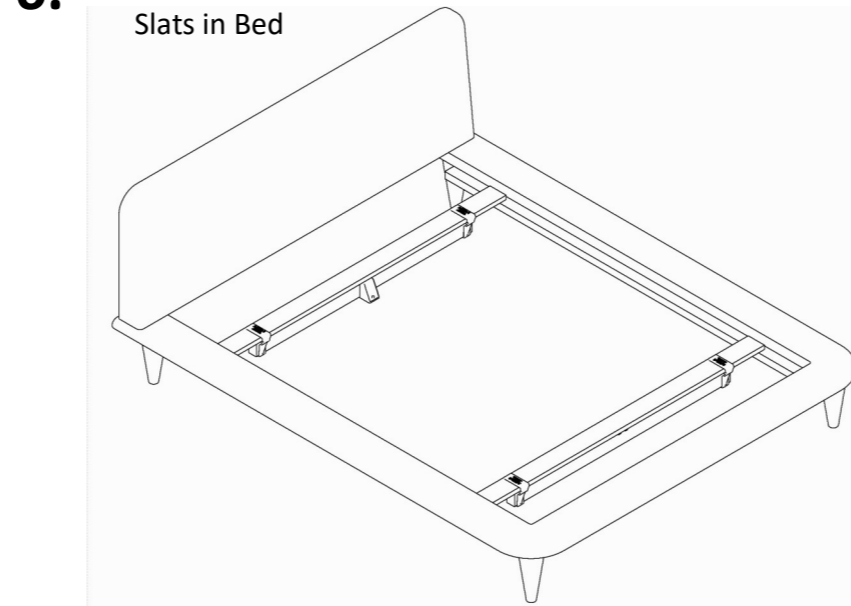
4. Completed Cross Beams X 2



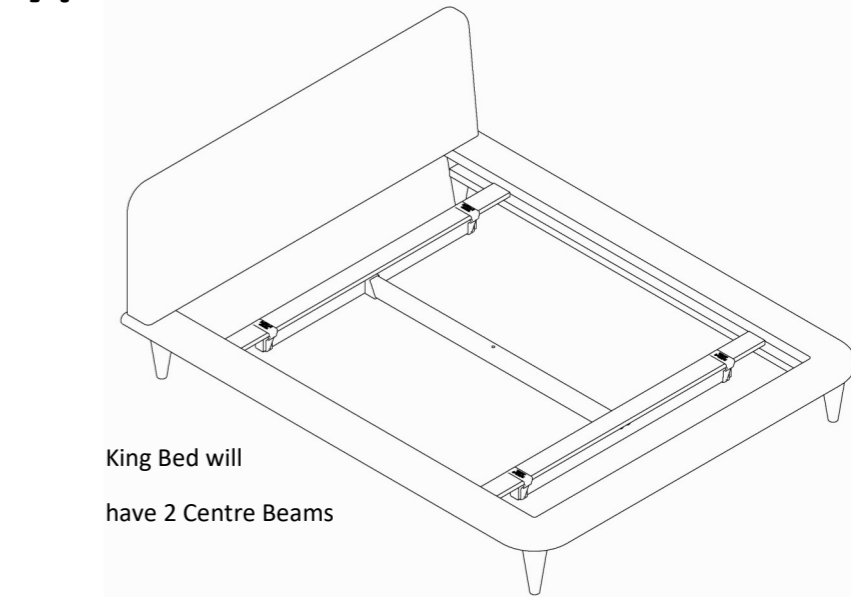
5. Cross Beam with Slat Inserted X 2



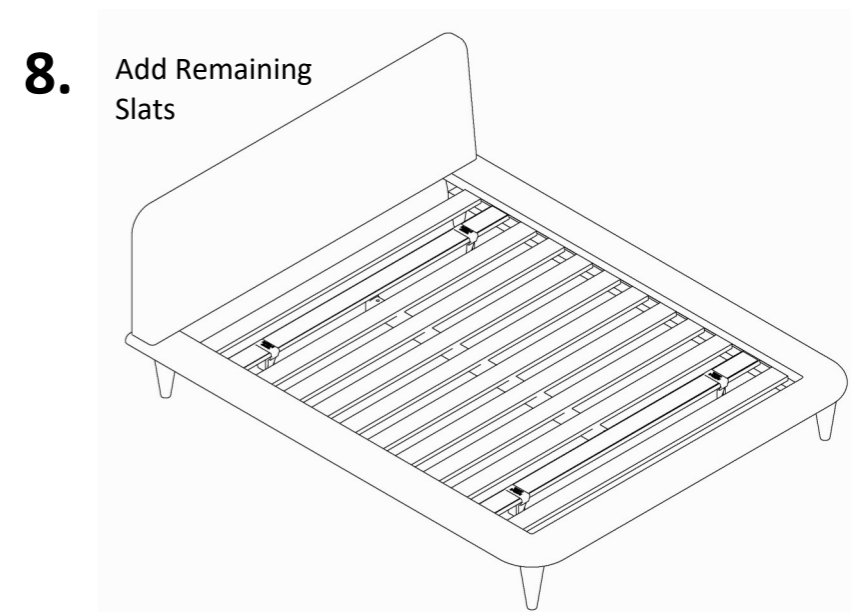
6. Place Cross Beams with Slats in Bed



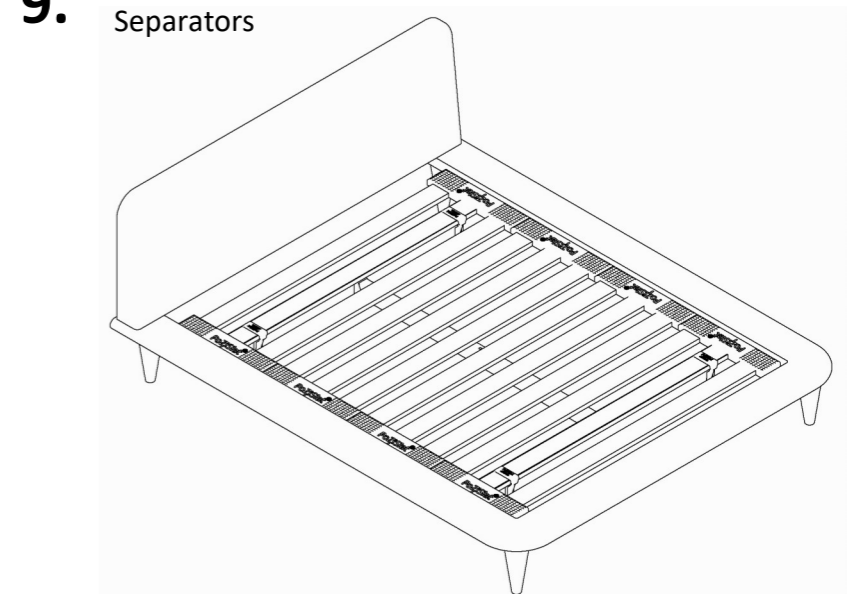
7. Insert Centre Beam, tapping firmly into place



8. Add Remaining Slats



9. Add PoziSlat Separators



Congratulations! You're now ready to sleep on your new bed and be supported by PoziSlat for years to come.